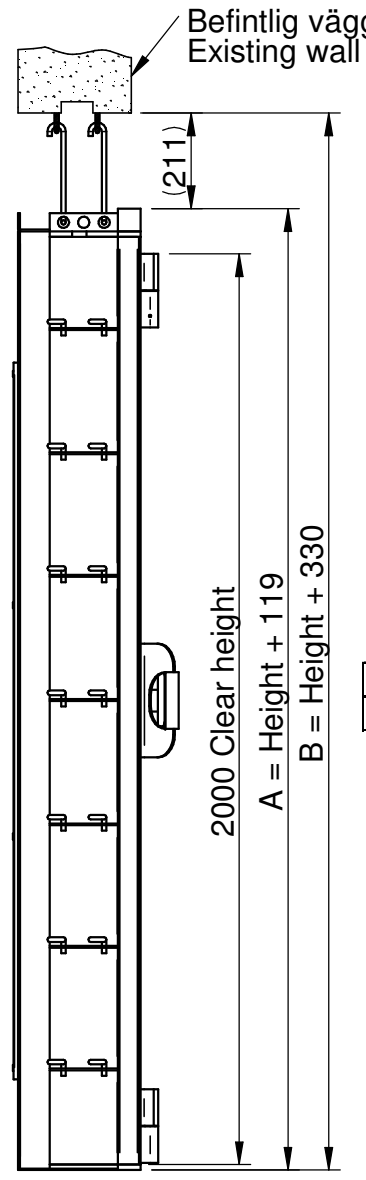
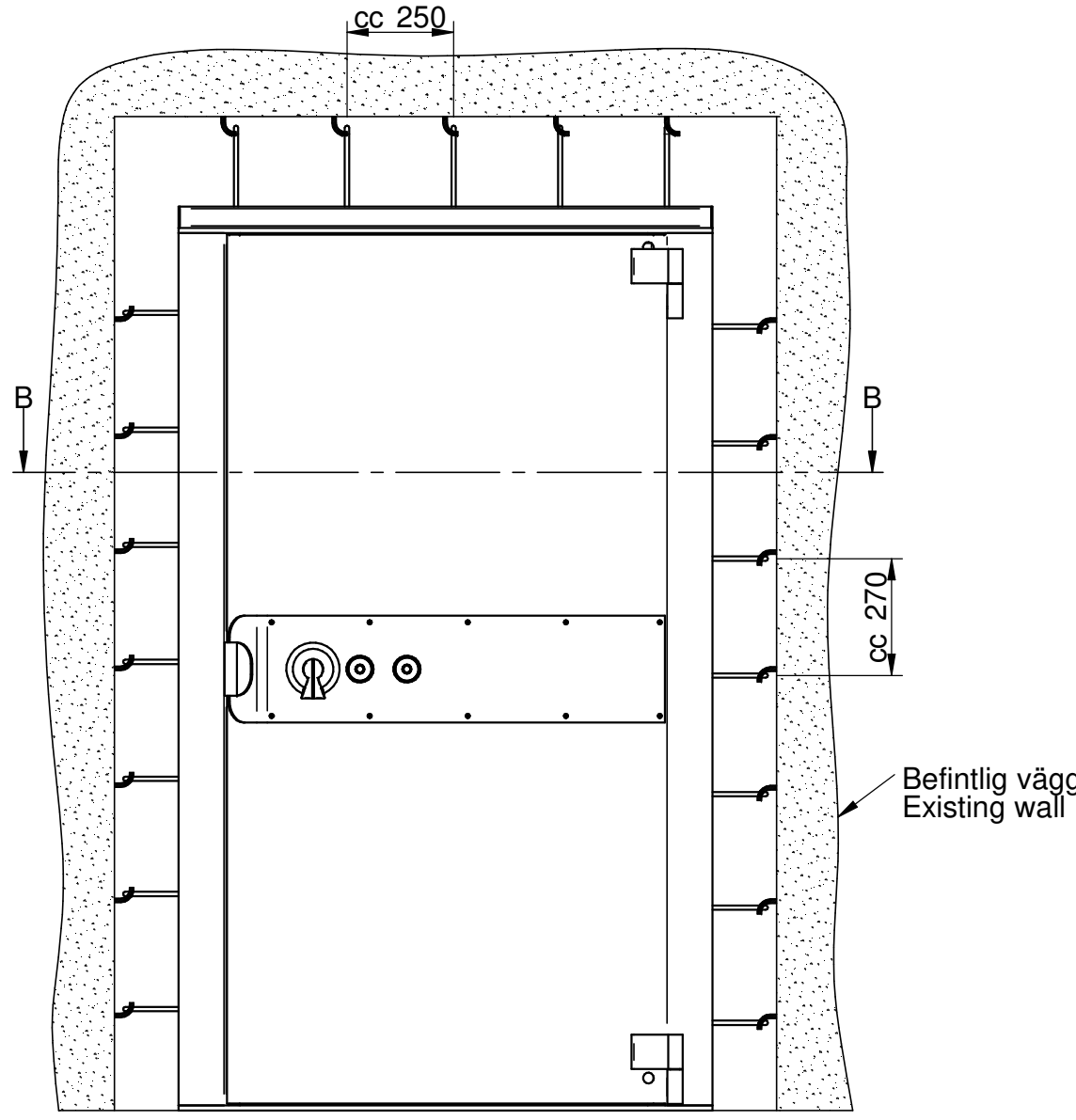
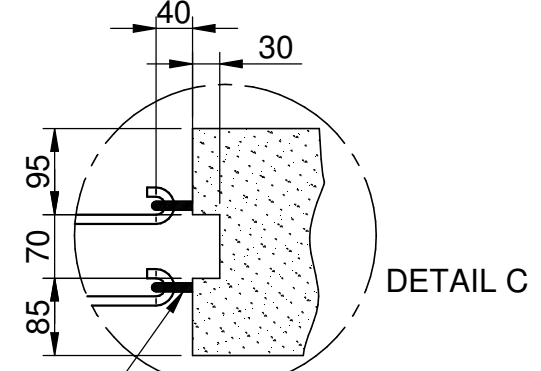
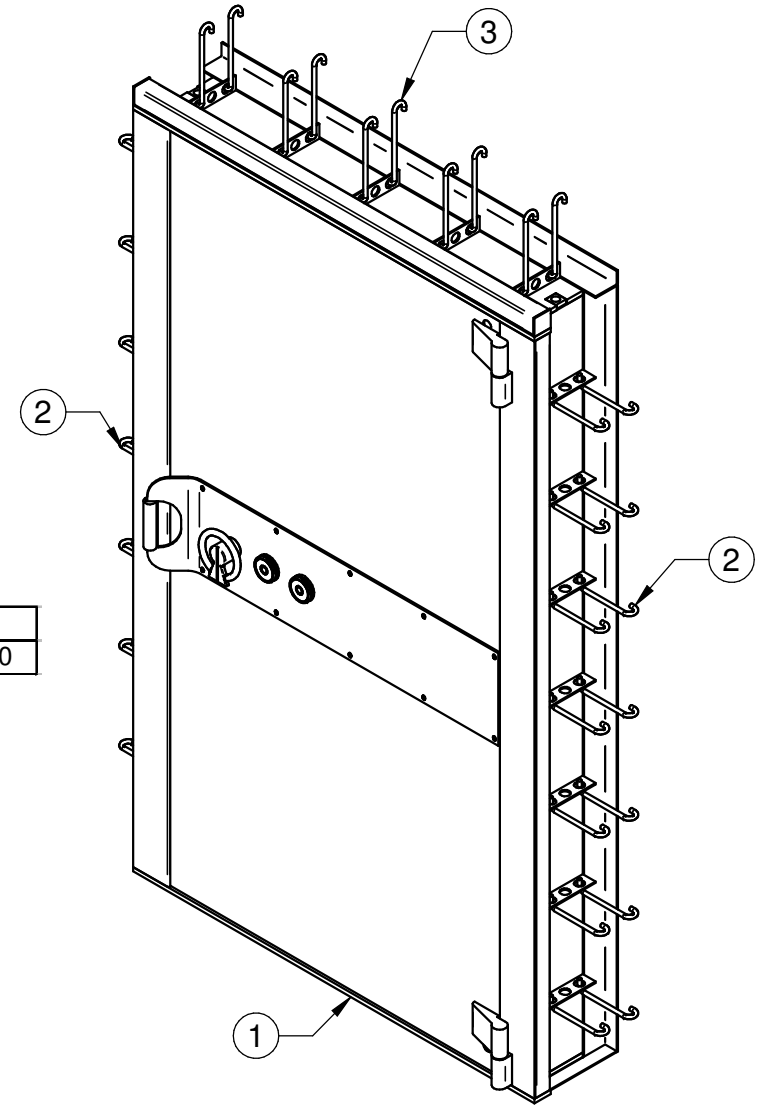


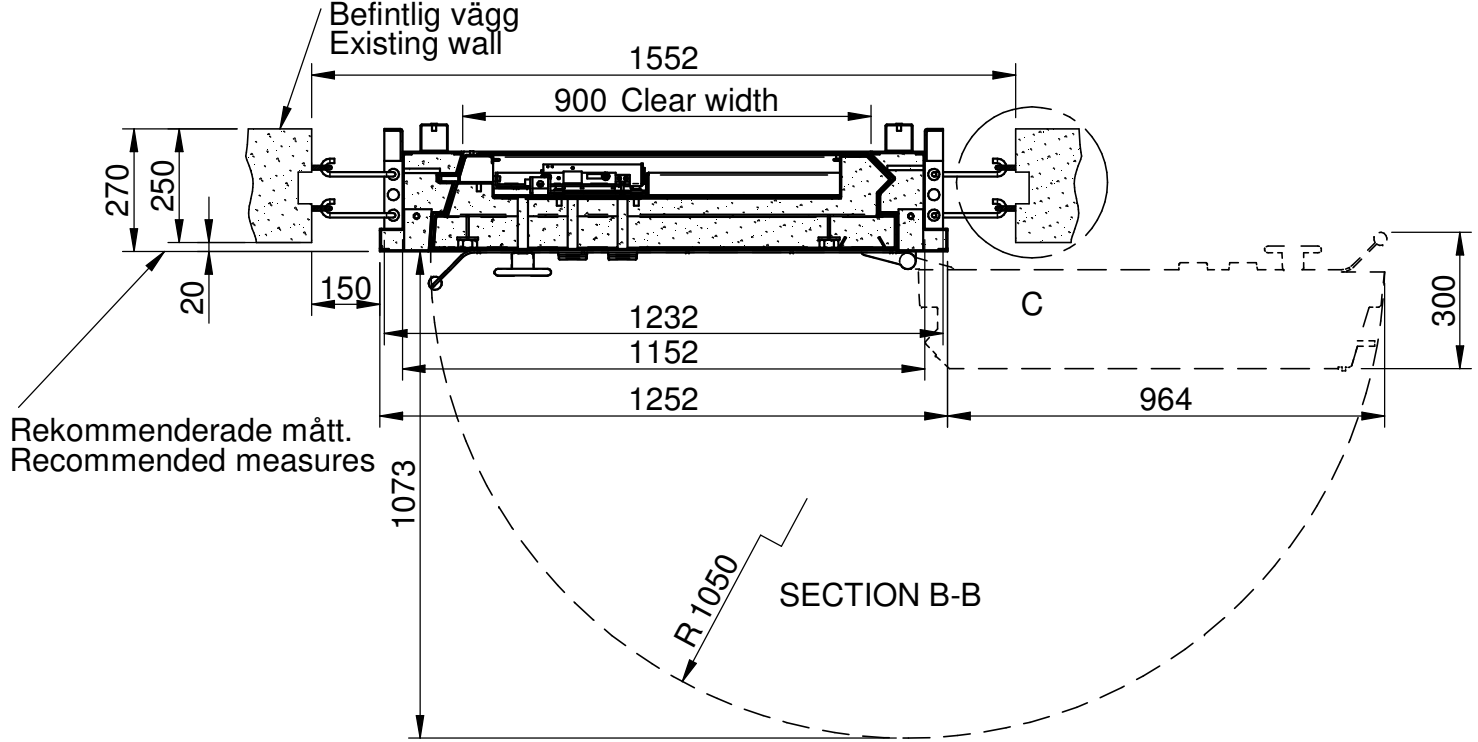
This document remains our property. Reproduction and any unauthorized use of the content without our written permission is forbidden. Violation will be prosecuted.



	A	B
Standard	2119	2330



Ingjuten armering Ø12.
Svetsas ihop med dörrens armering.
Casted reinforce Ø12.
weld together with reinforce from door.



Rekommenderade mått.
Recommended measures

Pos.	Qty.	Title	Material	Draw.no.	Comments
1	1	Frame and door		31-0571	
2	28	Short clamp	S235JRG2	25-0322	
3	10	Long clamp	S235JRG2	25-0323	

	General tolerances EN ISO 2768 - mK. EN ISO 13920 - BE.	Art.no. - Title sv. Frame for embedment Title eng.	Created 2009-04-08	Drawn UJ
		Subject	Replaces	Scale
		Project Vault door grade V	Drawing no. 31-0582	Revision C

Format
A3

Version	Note	Date	By
C	Removal of concrete in door implemented	2013-11-22	TK
B	Frame depth 270 was 220.	2009-09-18	UJ
A	Standard clear opening changed to 2000x900.	2009-08-04	UJ