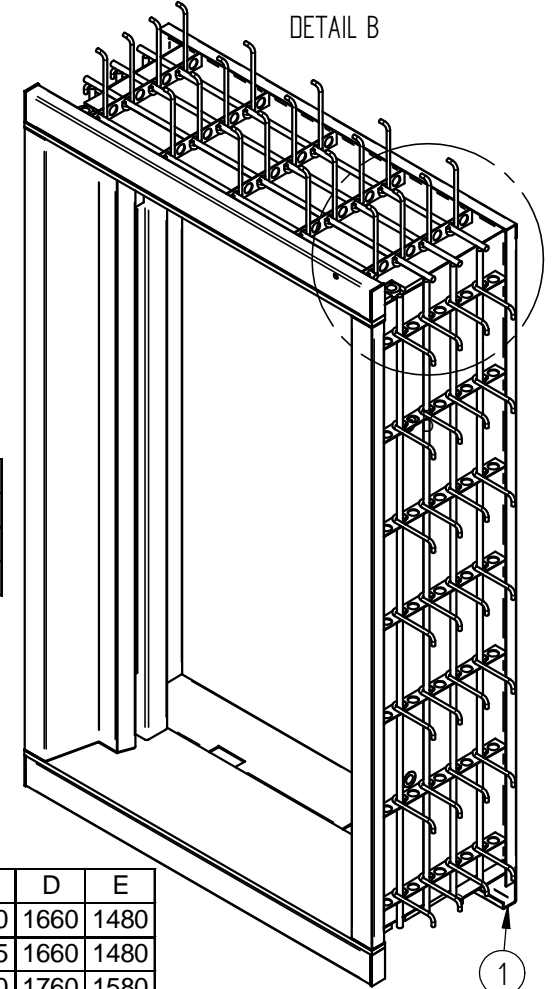
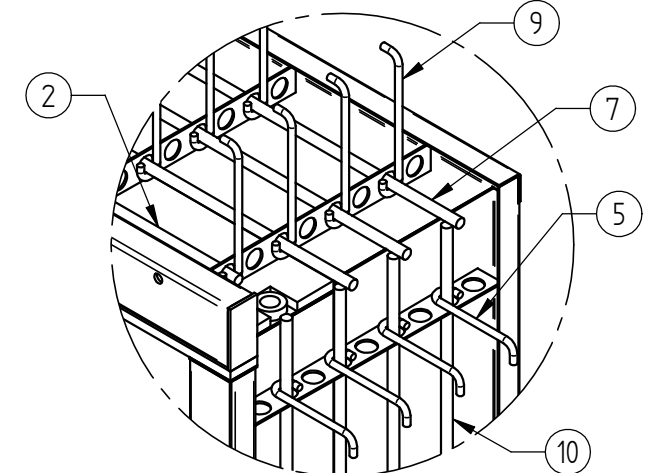
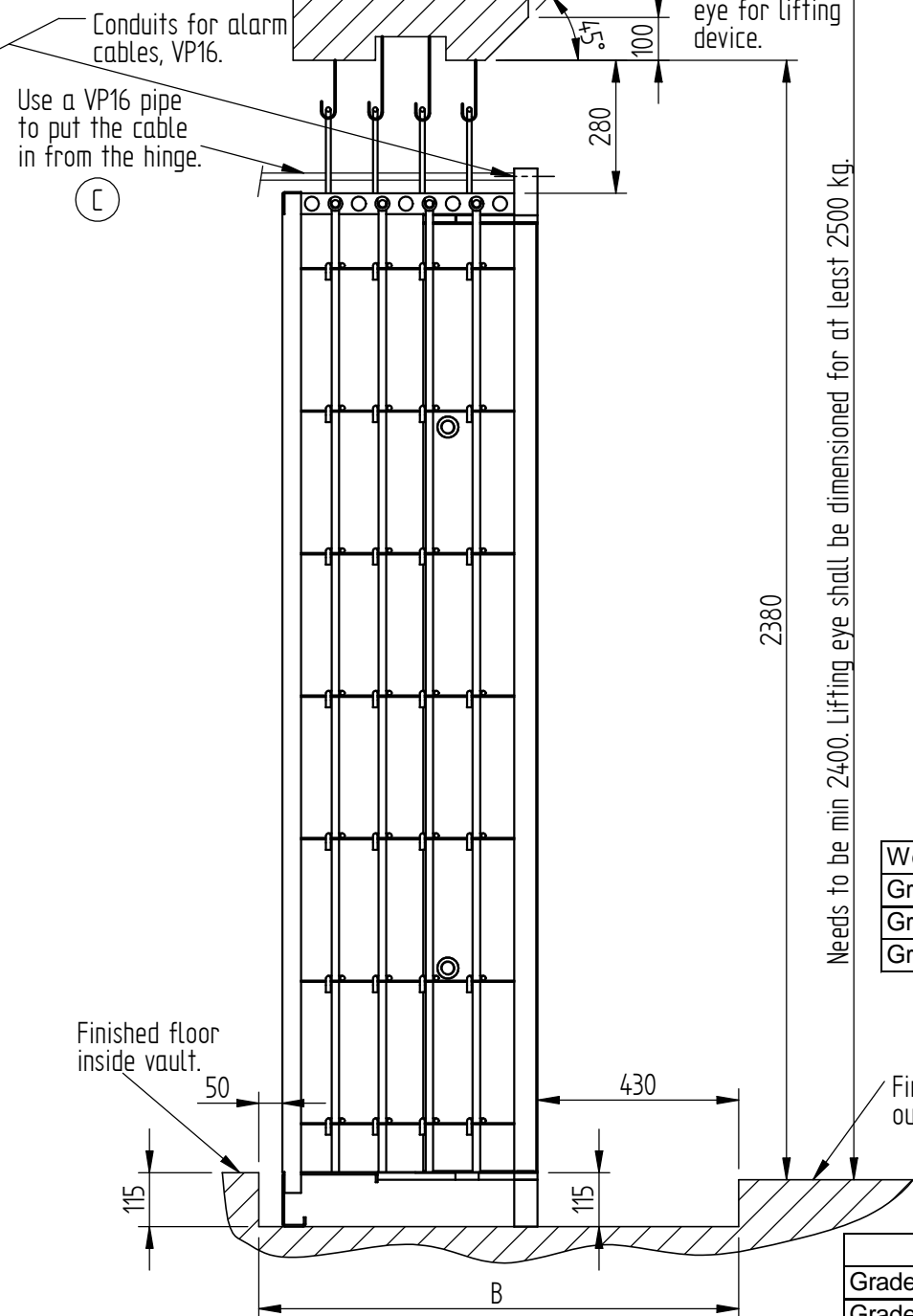
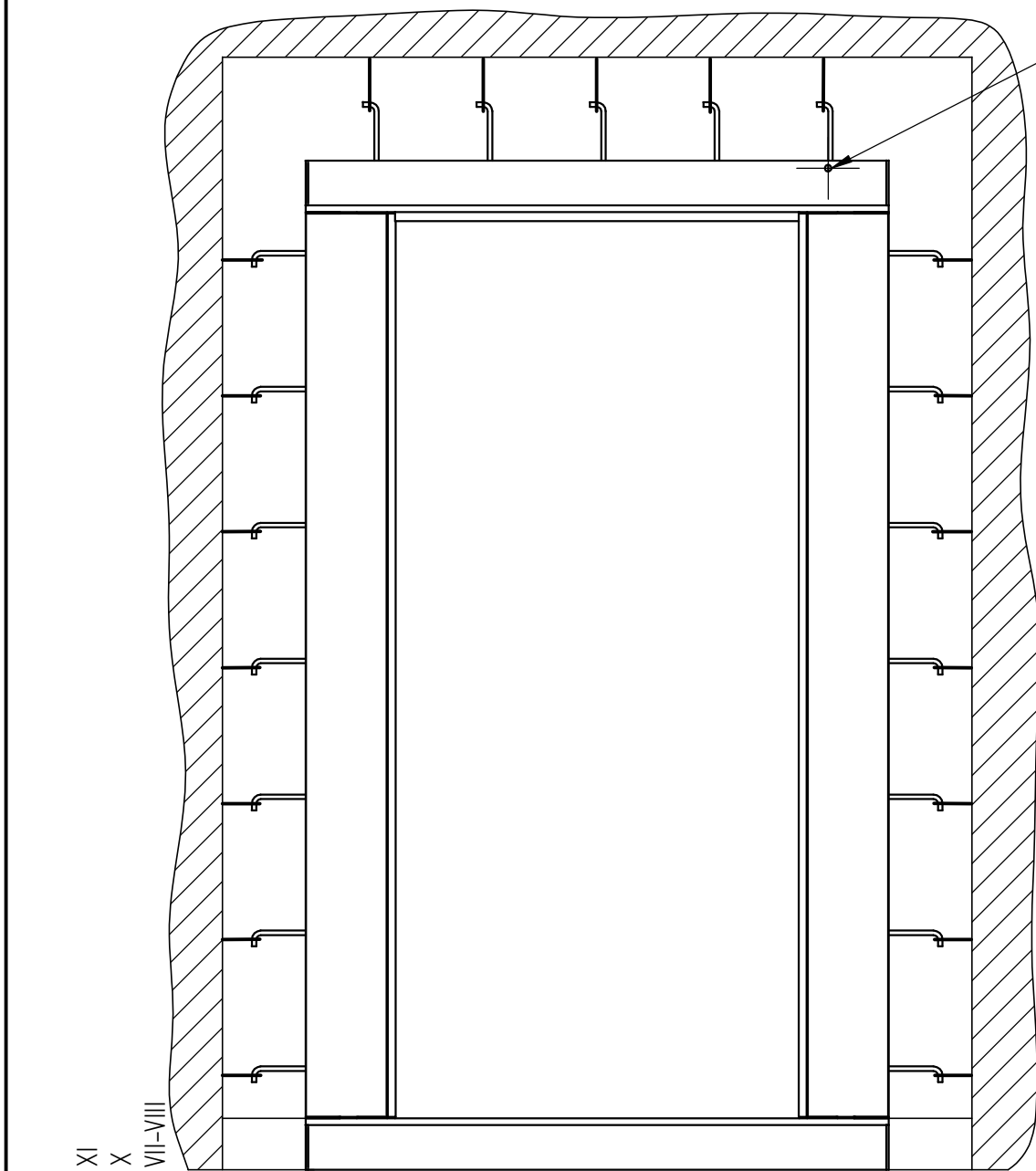


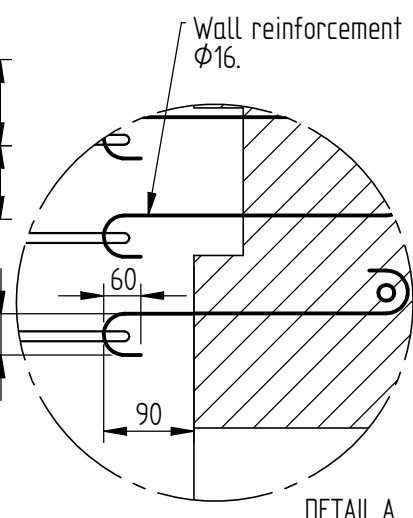
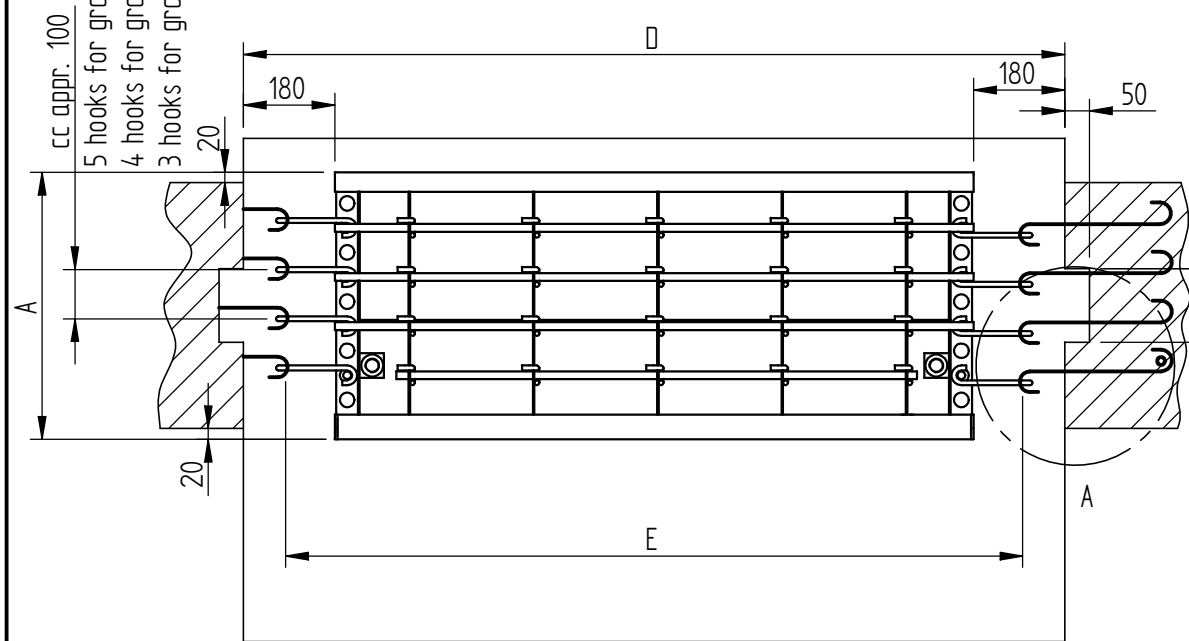
C	VP16 pipe inserted.	2009-03-17	UJ
B	Grade VII införd. engelsk text införd.	2006-09-27	UJ
No.	Note.	Date	By

Testdokument



Weight for door and frame	
Grade VII- VIII	1900kg
Grade X	2200kg
Grade XI	3100kg

	A	B	C	D	E
Grade VII- VIII	390	870	100	1660	1480
Grade X	540	1020	175	1660	1480
Grade XI	690	1170	250	1760	1580

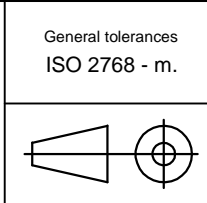
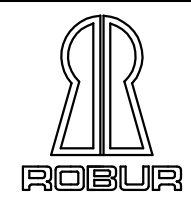


Pos. no.	Qty.	Title	Material	Draw. no.	Comments
1	1	Bottom	S235JR G2	25-0327	
2	1	Reinforce bar	S235JR G2		φ16x1060
5	56	Short clamp	S235JR G2	25-0322	Qty. 42 at grade VIII
7	3	Reinforce bar	S235JR G2		φ16x1300
9	20	Long clamp	S235JR G2	25-0323	Qty. 15 at grade VIII
10	8	Reinforce bar	S235JR G2		φ16x2044

This document remains our property. Reproduction and any unauthorized use of the content without our written permission is forbidden. Violation will be prosecuted.

Format
A3

© Robur Safe AB



Art.no.
Title/Subject
Door frame for embedment
Project
RVD Grade VII- XI EX CD

Created
2003-12-16
Replaces
Drawing no.
25-0320
Revision
C

Drawn
UJ
Scale
1:15
Revision